



FRONTIER™ 5513L

High-Speed Micro Centrifuges



Compact Micro Centrifuge with Modern Touch-Wheel Interface for Ideal Routine Centrifugation of Microtubes

Frontier 5513L is a space-saving micro centrifuge capable of spinning 18 x 1.5/2.0 ml microtubes and generating forces up to 15995 x g for basic molecular biology applications like DNA/RNA purification and extraction. Engineered with convenient operation in mind, the FC5513L features a uniquely designed splash-proof front panel with touch-wheel control for quick and easy adjustment.

Unique Features:

- Frontier 5513L includes an ergonomically designed 18 x 1.5/2.0 ml microtube rotor that quickly and easily closes with 1/4 of a turn. Adapters allow for spinning of 0.5 ml or 0.2/0.4 ml microtubes.
- Designed for ease of operation, the FC5513L features convenient control on a protective splash-proof interface, which allows for responsive operation – even when wearing gloves.
- With a small footprint, Frontier 5513L centrifuge is compact enough to save valuable space on the bench, yet large enough to accommodate sufficient number of microtubes ideal for DNA applications.

FRONTIER™ 5513L High-Speed Micro Centrifuges

Sleekly designed interface enables smooth operation for a great user experience

- Easy-to-Use touch-wheel interface for parameter adjustments
- Convenient interface shows both set and actual parameters
- One-touch toggling between RPM/RCF, Acc/Dec
- Crisp display on a double-line LCD display with light blue backlight



Solid engineering to ensure functionality and reliability

- True splash-proof panel protects the centrifuge from accidental sample spilling
- Maintenance-free induction motor produces maximum G-force of 15994 x g and 14000 rpm
- 10 acceleration/deceleration settings
- 99 memory sets to quickly store and recall commonly used parameters



Safety features that prevent injury

- Rotor imbalance sensing systems stops the unit when it detects an imbalanced load
- Mechanical lid-locking system prevents centrifuge from opening during operation




FRONTIER™ 5513L High-Speed Micro Centrifuges

Specifications

Model		FC5513L	
Order No.	230V: 83041043	120V: 83041044	
Speed Range	200 rpm – 14000 rpm; 10 rpm / increments		
Maximum RCF	15994 x g; 10 x g / increments		
Maximum Capacity (Rotor)	Angle Rotor: 18 x 1.5/2.0 ml		
Temperature Range	Air cooled		
Refrigerant	N/A		
Running Time	Quick Spin, 10 sec to 99 hr 59 min, or continuous		
Noise Level	≤ 57 + 2 dB(A)		
Acc/Dec Levels	10/10		
Allowable Density at Maximum Speed	1.2 g/ml		
Allowable Kinetic Energy	1429 Nm		
AC Power	230 V/50 - 60 Hz	120 V/50 - 60 Hz	
Voltage Fluctuation	± 10 %		
Current Consumption	0.8 A	1.7 A	
Power Consumption	120 W	130 W	
Dimensions (W x D x H)	277 x 351 x 231 mm		
Net Weight (without rotor)	14 kg		
Shipping Dimensions (W x D x H)	360 x 450 x 350 mm		
Shipping Weight (without rotor)	16 kg		
Ambient conditions (EN/IEC 61010-1)	Environment	For indoor use only	
	Altitude	Use up to an altitude of 2000 m	
	Ambient temperature	5 °C up to 35 °C	
	Max. relative humidity	Max. relative humidity 80 % for temperatures up to 31°C, Decreasing linearly to 50 % relative humidity up to 35°C.	
EMC	EN/IEC 61326-1 Class B emissions, Basic immunity FCC Class B emissions		
Not suitable for use in hazardous environments.			

Accessories

	Order No.	83041006		
	Description	Rotor Angle 18 x 1.5/2.0 ml		
	Compatible with	FC5513L		
	Max. Speed	14000 rpm		
	Max. RCF	15994 x g		

Accessories

Order No.	Description	Vol./Tube	Diameter	Tube Type	No. of Tubes/Rotor
Without Adapter	Rotor Angle 18 x 1.5/2.0 ml	1.5/2.0 ml	11 mm	Microtube	18
30130885	Adapter 1 x 0.5 ml D8 mm, 6 pk	0.5 ml	8 mm	Microtube	18
30130884	Adapter 1 x 0.2/0.4 ml D6 mm, 6 pk	0.2/0.4 ml	6 mm	Microtube	18

Shortcut list:

ID – auto rotor identification
FA – Conical bottom / Falcon®

Hi – version with higher speed
FB – Flat bottom

Vac – Vacutainer®
RB – Round bottom

Sar – Sarstedt
Rim – Skirted conical bottom

FRONTIER™ 5513L High-Speed Micro Centrifuges

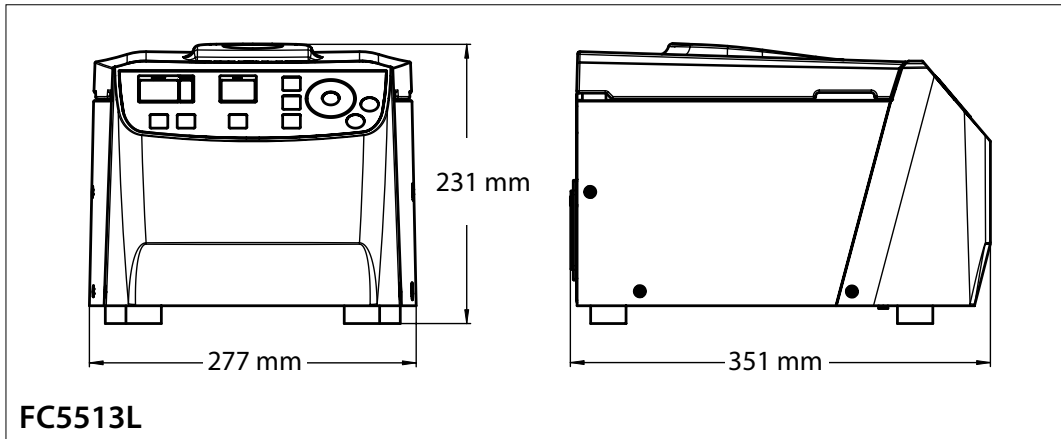
Other Standard Features and Equipment

Microprocessor control, Imbalance switch-off, Audible signal at the end of each run with melody options, Emergency release, 99 memory sets, Ten acceleration and ten deceleration rates, Pre-selection of running time from 10 sec to 99 hr 59 min or continuous, Quick spin for short runs.

Compliance

See Declaration of Conformity available CE Declarations | OHAUS

Outline Dimensions



OHAUS Asia/Pacific
Headquarters

e-mail: APmarketing@ohaus.com

Tel: +86 21 64855408

With offices throughout
Europe, Asia, and
Latin America

ISO 9001:2015

Registered Quality
Management System



Click or scan
for the web



80776873_B 20250811 © Copyright OHAUS Corporation