

LABCULTURE® G4 (LA2 G4) CLASS II BIOSAFETY CABINET,



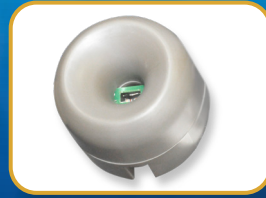
USB Port

- Export Data Logging
- Software Update
- Wired data transaction to BMS



Zero Volt Relay Contact

- Free Relay Contact
- Exhaust Free Relay Contact



Airflow Sensor

- Monitors real-time airflow for safety
- Alert the user if airflow is insufficient



Centurion 7" Capacitive Touchscreen Controller

- Displays all safety information on one large screen
- Shows cabinet parameters with intuitive 3D illustration
- Easy to use menu, similar to Smart Phone Apps
- Large buttons, easy to operate when wearing gloves
- Self-guidance to users to deal with specific situations
- Centered and angled down for easy reach and viewing
- Optional: 21 CFR Part 11 Compliance
- Wireless data transaction to BMS



Single Piece Wall

- Easy to reach service fixtures and electrical outlets on sidewalls
- Large radius corners for easy cleaning



User-friendly Work Tray

- Largest useable area in the market
- Recessed to contain spillage
- Sloped perimeter for easy cleaning
- Large, easy to clean tray handle
- Work tray holder for drain pan cleaning



Raised Arm Rest

- Prevent grille blocking
- Comfortable working posture
- Durable stainless steel construction



Ergonomic Work Zone

- 10° angle to optimize user comfort, reduce glare, and maximize reach into the work area
- Brightly illuminated with >1200 lux
- Industry-leading dimmable LED for optimum work comfort
- Airtight seal port for cable/tube exit protected by a negative pressure side wall

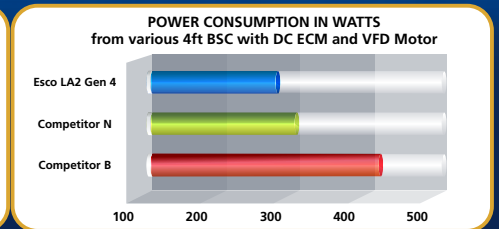
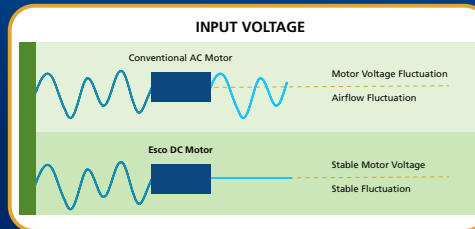


Esco Labculture® G4 Class II Biosafety Cabinet Available in 3 feet, 4 feet, 5 feet, and 6 feet models.

FEATURING ADVANCED TOUCHSCREEN CONTROLLER

Energy-efficient DC ECM Blower

- The leading energy efficient Class II Type A2 Biosafety Cabinet in the world with 70% energy savings compared to AC motor
- Stable airflow despite building voltage fluctuations and filter loading
- Standby mode to further reduce power consumption by 80%



Labculture
Class II Biosafety Cabinet

Advanced ULPA Filtration System

- 10x Filtration efficiency of HEPA filter
- Creates ISO Class 3 work zone instead of industry-standard ISO Class 5
- Same 10 years filter life and replacement cost as HEPA filters

Note:

- 99.999% at 0.1 to 0.3 micron, ULPA as per IEST-RP-CC001.3 USA
- 99.999% at MPPS, H14 as per EN 1822 EU



Dimmable LED

- Save energy and optimize work comfort



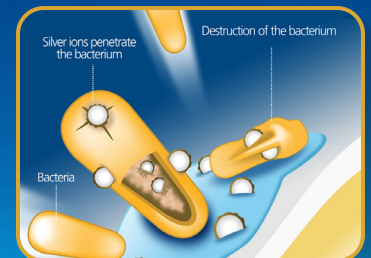
Motorized Window

- Aerosol tight window seal
- Window automatically stops at safe operating height
- Conveniently move the window by fingertip
- Tiltable Sash for easy glass cleaning



Removable Paper Catch

- Prevent objects from being pulled into blower plenum
- Removable for easy cleaning
- Optional pre-filter can be fitted



Tray Support Beams

- Support work tray evenly for less vibration
- Cleaning holder to easily wipe the drain pan

ISOCIDE™ Powder Coat

- Silver-ion impregnated powder coat
- Inhibits microbial growth to improve safety
- Prevents the plenum from becoming biohazard landfill

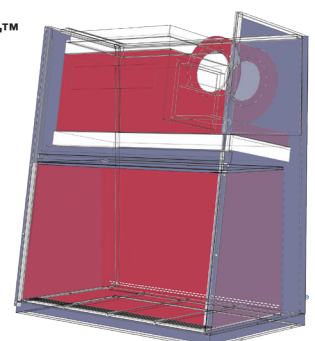
Certification

	Performance	Air Quality	Filtration	Electrical Safety
Standards Compliance	AS 2252.2	ISO 14644.1, Class 3, Worldwide US Fed Std 209E, Class 1 USA JIS B9920, Class 3, Japan	EN-1822 (H14), Europe IEST-RP-CC001, USA	UL 61010-1 3rd Ed, USA CSA22.2, No.1010-192, Canada IEC61010-1, Worldwide

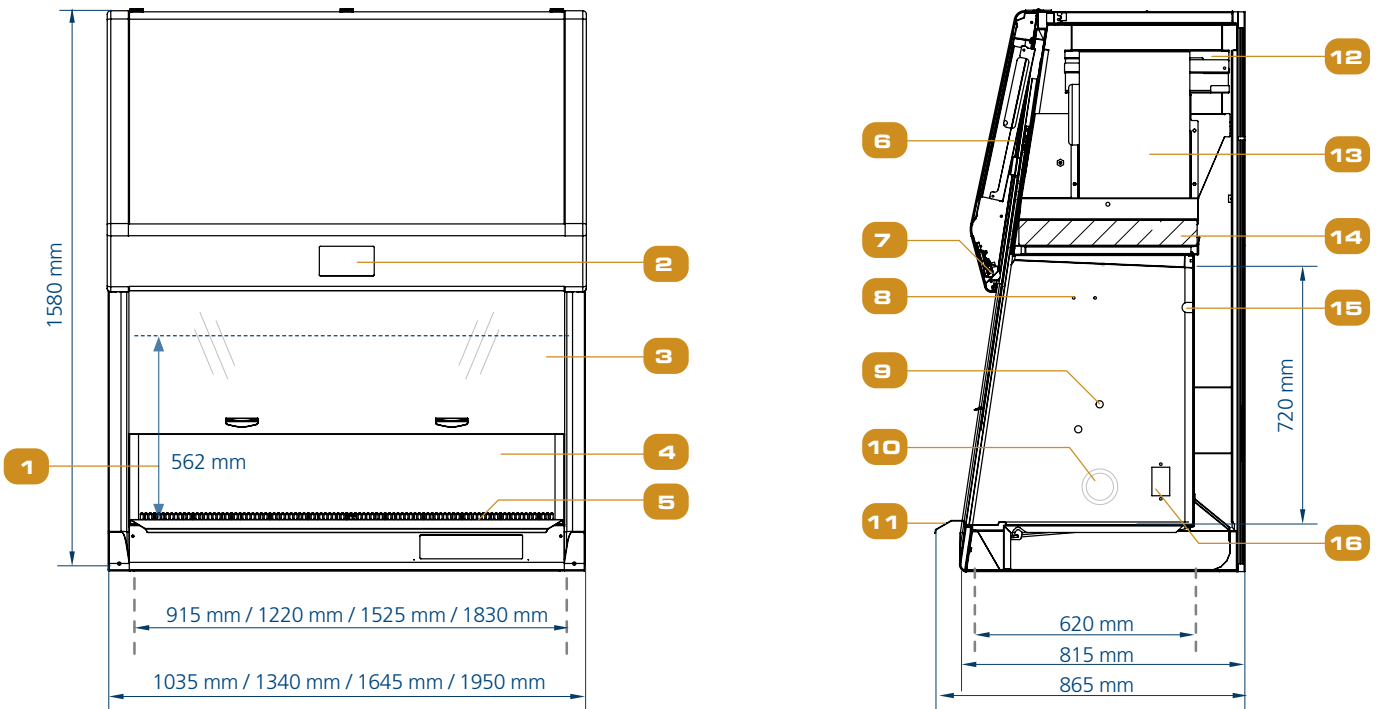
Dynamic Chamber™

- Blower plenum and side walls are surrounded by negative pressure
- Prevent contaminants from escaping outside

- Positive Pressure
- Negative Pressure



LA2- K8 G4 Engineering Drawing



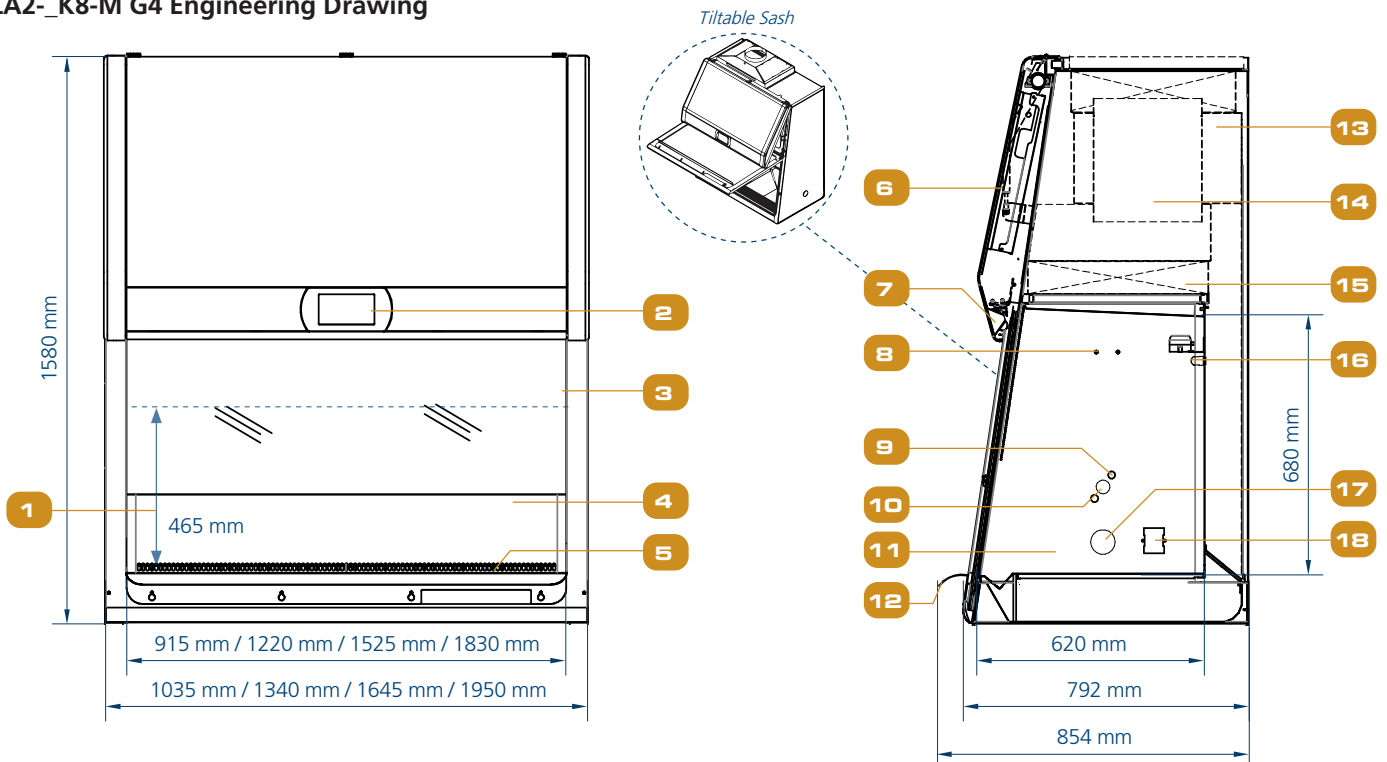
1. Maximum Sash Opening
2. Centurion Touchscreen Controller
3. 10° Angled Sash Window
4. Single-piece Stainless Steel Back Wall

5. Single-piece Stainless Steel Work Tray
6. Electrical Panel
7. Dimmable LED Lamp
8. IV Bar Retrofit Kit Provision

9. Service Fixture Retrofit Kit Provision
10. Cable Port (NSF Approved)
11. Stainless Steel Arm Rest

12. Exhaust Filter
13. DC ECM Blower
14. Downflow Filter
15. UV Lamp Provision
16. Electrical Outlet Provision

LA2- K8-M G4 Engineering Drawing



1. Maximum Sash Opening
2. Centurion Touchscreen Controller
3. Angled Sash Glass Window
4. Single-piece Stainless Steel Back Wall
5. Single-piece Stainless Steel Work Tray

6. Electrical Panel
7. Dimmable LED Lamp
8. IV Bar Retrofit Kit Provision
9. Service Fixture Retrofit Kit Provision
10. VHP Port In (Optional)

11. Stainless Steel Side Walls
12. Stainless Steel Arm Rest
13. Exhaust Filter
14. DC ECM Blower
15. Downflow Filter

16. UV Lamp Provision
17. Cable Port (right side only)
18. Electrical Outlet Provision

TECHNICAL SPECIFICATIONS

Labculture®		LA2-3K8 G4 2011596	LA2-4K8 G4 2011445	LA2-5K8 G4 2011446	LA2-6K8 G4 2011447
Nominal Size		0.9 meter	1.2 meter	1.5 meter	1.8 meter
External Dimensions (W x D x H)	Without Armrest	1035 x 815 x 1580 mm	1340 x 815 x 1580 mm	1645 x 815 x 1580 mm	1950 x 815 x 1570 mm
	With Armrest	1035 x 865 x 1580 mm	1340 x 865 x 1580 mm	1645 x 865 x 1580 mm	1950 x 865 x 1570 mm
Internal Dimensions (W x D x H)		915 x 620 x 680 mm	1220 x 620 x 680 mm	1525 x 620 x 680 mm	1830 x 620 x 680 mm
Usable Work Area		0.47 m ²	0.63 m ²	0.80 m ²	0.96 m ²
Tested Sash Opening		175 mm			
Maximum Sash Opening		562 mm			
Average Airflow Velocity	Inflow	0.85 m/s			
	Downflow	0.30-0.45 m/s			
Average Airflow Volume	Inflow	493 cmh	653 cmh	819 cmh	980 cmh
	Downflow	566-850 cmh	751-1127 cmh	942-1413 cmh	1127-1690 cmh
	Exhaust	493 cmh	653 cmh	819 cmh	980 cmh
ULPA Filter Typical Efficiency		99.999% efficiency at 0.3-0.1 µm			
Sound Emission		61.9 dBA	62.2 dBA	63.3 dBA	64 dBA
Light Intensity	Light Intensity	> 1000 Lux			
	Optional UV Lamp	253.7 nm			
Electrical Requirements	Nominal Power Consumption	186 W	285 W	359 W	589 W
	Full Load Amps	10 A	Inlet 1: 7 A Inlet 2: 5 A	Inlet 1: 7.5 A Inlet 2: 5 A	Inlet 1: 10 A Inlet 2: 5 A
	Maximum Power Consumption	700 W	1100 W	1100 W	1500 W
Cabinet Construction	Main body	Electro-galvanized steel with white oven-baked epoxy-polyester Isocide™ antimicrobial powder-coated finish, 1.5 mm / 16 gauge thick			
	Work Zone	Stainless steel Type 304 with No.4 finish, 1.5 mm / 16 gauge thick			
	Side Walls	1.5 mm 16 gauge stainless steel, type 304, with 4B finish			
Net Weight		243 kg	287 kg	381 kg	400 kg
Shipping Weight		304 kg	360 kg	451 kg	506 kg
Shipping Dimensions, Maximum (W x D x H)		1185 x 950 x 2120 mm	1490 x 950 x 2120 mm	1950 x 950 x 2120 mm	2200 x 950 x 2120 mm
Shipping Volume Dimensions (W x D x H)		2.3 m ³	3 m ³	3.9 m ³	4.4 m ³

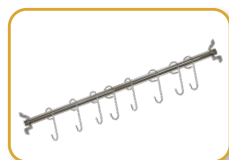
TECHNICAL SPECIFICATIONS					
Labculture®		LA2-3K8-M G4 2011953	LA2-4K8-M G4 2011954	LA2-5K8-M G4 2011955	LA2-6K8-M G4 2011956
Nominal Size		0.9 meter	1.2 meter	1.5 meter	1.8 meter
External Dimensions (W x D x H)	Without Armrest	1035 x 792 x 1580 mm	1340 x 792 x 1580 mm	1645 x 792 x 1580 mm	1950 x 792 x 1570 mm
	With Armrest	1035 x 854 x 1580 mm	1340 x 8854 x 1580 mm	1645 x 854 x 1580 mm	1950 x 8854 x 1570 mm
Internal Dimensions (W x D x H)		915 x 620 x 680 mm	1220 x 620 x 680 mm	1525 x 620 x 680 mm	1830 x 620 x 680 mm
Usable Work Area		0.45 m ²	Area: 0.62 m ²	0.76 m ²	0.93 m ²
Tested Sash Opening		175 mm			
Maximum Sash Opening		465 mm			
Average Airflow Velocity	Inflow	0.85 m/s			
	Downflow	0.30-0.45 m/s			
Average Airflow Volume	Inflow	493 cmh	653 cmh	819 cmh	980 cmh
	Downflow	566-850 cmh	751-1127 cmh	942-1413 cmh	1127-1690 cmh
	Exhaust	493 cmh	653 cmh	819 cmh	980 cmh
ULPA Filter Typical Efficiency		99.999% efficiency at 0.3-0.1 µm			
Sound Emission		61.9 dBA	62.2 dBA	63.3 dBA	64 dBA
Light Intensity	Light Intensity	> 1000 Lux			
	Optional UV Lamp	253.7 nm			
Electrical Requirements	Nominal Power Consumption	186 W	291 W	545 W	735 W
	Full Load Amps	10 A	Inlet 1: 7 A Inlet 2: 5 A	Inlet 1: 8 A Inlet 2: 5 A	Inlet 1: 10 A Inlet 2: 5 A
	Maximum Power Consumption	700 W	1100 W	1100 W	1500 W
Cabinet Construction	Main body	Electro-galvanized steel with white oven-baked epoxy-polyester Isocide™ antimicrobial powder-coated finish, 1.5 mm / 16 gauge thick			
	Work Zone	Stainless steel Type 304 with No.4 finish, 1.5 mm / 16 gauge thick			
	Side Walls	1.5 mm 16 gauge stainless steel, type 304, with 4B finish			
Net Weight		274 Kg	330 Kg	370 Kg	460 Kg
Shipping Weight		302 Kg	365 Kg	450 Kg	489 Kg
Shipping Dimensions, Maximum (W x D x H)		1300 x 960 x 2120 mm	1520 x 960 x 2120 mm	1950 x 960 x 2120 mm	2200 x 960 x 2120 mm
Shipping Volume Dimensions (W x D x H)		2.3 m ³	2.8 m ³	3.5 m ³	4.0 m ³

Options and Accessories

UV Lamp		UV-15A 5170251	UV-30A 5170255		
IV Bar		IV-910 5170499	IV-1215 5170231	IV-1520 5170500	IV-1825 5170501
Electrical Outlet	Direct Mounted	EO-HC 5170035			
Service Fixtures	EU SF-Gas-20 mm	SF-1G20 5170410			
	Solenoid Valve	SOLENOID GAS VALVE 230 VAC 5070086			
	EU SF-Vacuum-20 mm	SF-1V20 5170457			
	EU SF-Air-20 mm	SF-1A20 5170502			
	EU SF-Nitrogen-20 mm	SF-1N20 5170503			
	EU SF-Water-20 mm	SF-1W20 5170458			
	US SF-Universal-20 mm	SF-2U22 5170504			
	Copper Piping for SF	CU-Pipe 5170026			
Support Stand (705 to 915 mm with 50 mm increment combination of caster wheels and leveling feet)		STA-3A0 5131340	STA-4A0 5131341	STA-5A0 5131427	STA-6A0 5131389
Stainless Steel Pipette Storage Shelf		5260327			
Arm Rest Padding		MEWREST 5170127			
Foot Rest		FT-REST 5170492			
Laboratory Chair		ME-LD-AR360 1150006			
IQ OQ Protocol		9010179			



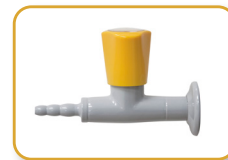
UV_A-L



IV_



EO-H_



SF-1_



SF-2U_



STA_



SS Pipette Storage Shelf



MEWREST



FT-REST



ME-LD-AR360



IQOQ