



Affordable Digital Hotplate Stirrers Designed for Safety, Powerful Stirring and Fast Heating

OHAUS Guardian™ 3000 Hotplate Stirrers are designed for economical heating and stirring in all laboratory settings. The bright LCD display includes easy-to-read temperature and speed settings, intuitive icons and a prominent hot top indicator that lights up when the heater is above 40°C. Select from three plate sizes to suit your application. All models can be used with the optional temperature probe for precise temperature control of the sample.

Unique Features:

- Industry leading safety at affordable prices. Guardian 3000 units offer safety, controlled heating and powerful stirring for general laboratory use - all at a competitive price point.
- SafetyHeat™ protects the lab. An industry-leading early detection system uses two independent safety controls to monitor the electronics and stop heating before an overtemperature condition occurs.
- Designed to last - the rugged metal housing has a spill-resistant design for long life in the lab under harsh conditions. The smooth, chemical-resistant ceramic top makes for easy clean ups.

GUARDIAN™3000 Hotplate Stirrers

Specifications

Design to Last

The rugged metal housing has a spill-resistant design for long life in the lab under harsh conditions. The smooth, chemical-resistant full ceramic top makes for easy clean ups.



SafetyHeat™

Industry-leading early detection system that uses two independent safety controls to continuously monitor the electronics and shut off heating before an overtemperature condition occurs.

Hot Caution

In case the top plate temperature is over 40°C, a bright, ISO standard hot caution symbol illuminates for caution. Turning off the power switch, the symbol remain illuminates and the LCD displays "HOT" texts for additional caution.

Power Switch

An easy-to-reach rocker switch to power on/off the unit. Protected by enclosure overhang from accidental spills.

Model No.	e-G31HSRDS	e-G31HS04C	e-G31HS07C
Kit Model**	e-G31HSRDS -K1	e-G31HS04C -K1	e-G31HS07C -K1
Function	Heating and Stirring		
Top Plate Size	Ø 13.5 cm	10.8 x 10.8 cm	18 x 18 cm
Top Plate Material	Ceramic Coated Stainless Steel	Ceramic	
Control	Digital		
Display	75 x 20 mm White Character LCD		
Temperature Range	Ambient + 5°C – 380°C	Ambient + 5°C – 500°C	
Set Temperature Increments	1°C		
Temperature Readability	1°C		
Temperature Stability*	+/-3% Plate, below 100°C +/-2°C and +/-2% Probe, below 100°C +/-2°C		
Temperature Calibration (SPC) Set Points	1 point for Plate and 1 point for Probe		
Probe Connection	PT1000 (Class A)		
Heating Power	500W at 120V 500W at 230V	1000W at 120V 1000W at 230V	
Speed Range	80 - 1600 rpm		
Speed Stability*	+/-2%		
Stirring Capacity	15 L H2O		
IP Rating	IP21		
Housing	Painted Aluminum		
Dimensions (L x W x H)	26.4 x 16.3 x 10.1 cm	26.4 x 16.3 x 11.0 cm	31.8 x 22.3 x 11.2 cm
Working Environment	5°C – 40°C, 80%RH, non-condensing		
Net Weight	2.5 kg	2.5 kg	3.9 kg
Power Input	550W at 120V 550W at 230V	1050W at 120V 1050W at 230V	
Electrical (50/60Hz)	100-120V, 5A 220-240V, 4A	100-120V, 10A 220-240V, 7A	

* Conditions permitting. Variations in temperature and speed measurement processes, vessel, ambient and sample will impact actual performance. To improve temperature accuracy of the system use the Single Point Calibration feature.

** Kit-1 ("K1") has the Temperature Probe 30500590 and the Probe Holder Kit 30973298 included in package.

GUARDIAN™3000 Hotplate Stirrers

Accessories

Item No.	Description	e-G31HS04C	e-G31HS07C	e-G31HSRDS
30500590	Probe PT1000(A) -40~400C 20cm SS316/304	●	●	●
30500591	Probe PT1000(A) -40~200C 20cm PTFE	●	●	●
30500592	Probe PT1000(A) -40~400C 25cm SS316/304	●	●	●
30500593	Probe PT1000(A) -40~200C 25cm PTFE	●	●	●
30973655	Probe PT1000(A) -40~400C 25cm Hastelloy	●	●	●
30973298	Probe Holder Kit-1	●	●	●
30983667	Connecting Clamp S/S Grip 13mm & 13mm	●	●	●
30983668	Support Rod S/S D13 x L450 mm THR.M10	●	●	●
30500597	Vessel Clamp	●	●	●
30500598	Stir Bar Retriever	●	●	●
30392314	Clamp, Specialty, Column, CLS-COLMNSS	●	●	●
30392315	Clamp, Specialty, Column, CLS-COLMNSM	●	●	●
30392316	Clamp, Specialty, Column, CLS-COLMNSL	●	●	●
30392317	Clamp, Specialty, Column, CLS-COLMNSX	●	●	●
30392318	Clamp, Specialty, Nester, CLS-NESTXS	●	●	●
30400147	Spinbar 2.5 cm PTFE	●	●	●
30400148	Spinbar 3.8 cm PTFE	●	●	●
30400149	Spinbar 7 cm Oval PTFE	●	●	●
30400150	Spinbar 10 cm with Pivot Ring PTFE	●	●	●
30692826	Thermometer Holder Economic Kit	●	●	●
30726783*	Spinbar with a Pivot 3.8 cm PTFE	●	●	●
30500570	Base Plate 135 mm			●
30500571	Handles for Base Plate			●
30500572	Sectional Block 12 mm Vials			●
30500573	Sectional Block 15 mm vials			●
30500574	Sectional Block 17 mm Vials			●
30500575	Sectional Block 21 mm Vials			●
30500576	Sectional Block 28 mm Vials			●
30500577	Sectional Block 12 mm Test Tubes			●
30500578	Sectional Block 16 mm Test Tubes			●
30500579	Sectional Block 20 mm Test Tubes			●
30500580	Sectional Block 25 mm Test Tubes			●
30500581	Uni Block 12 mm Vials			●
30500582	Uni Block 15 mm vials			●
30500583	Uni Block 17 mm Vials			●
30500584	Uni Block 21 mm Vials			●
30500585	Uni Block 28 mm Vials			●
30500586	Uni Block 12 mm Test Tubes			●
30500587	Uni Block 16 mm Test Tubes			●
30500588	Uni Block 20 mm Test Tubes			●
30500589	Uni Block 25 mm Test Tubes			●
30392233**	Clamp, Specialty, Rod, CLS-RODS			●

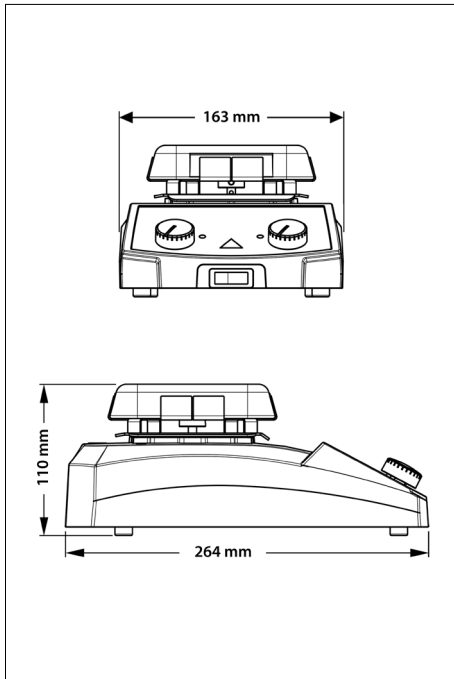
*30726783 pack of 5 spinbars

**30392233 is for use with the 30500570 Base Plate only

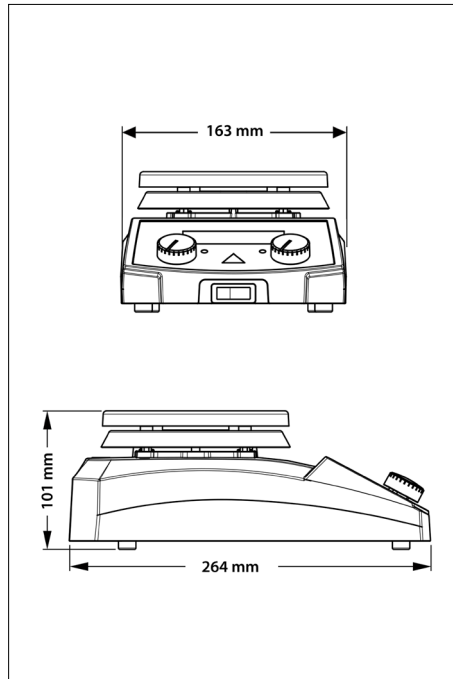
GUARDIAN™ 3000 Hotplate Stirrers

Outline Dimensions

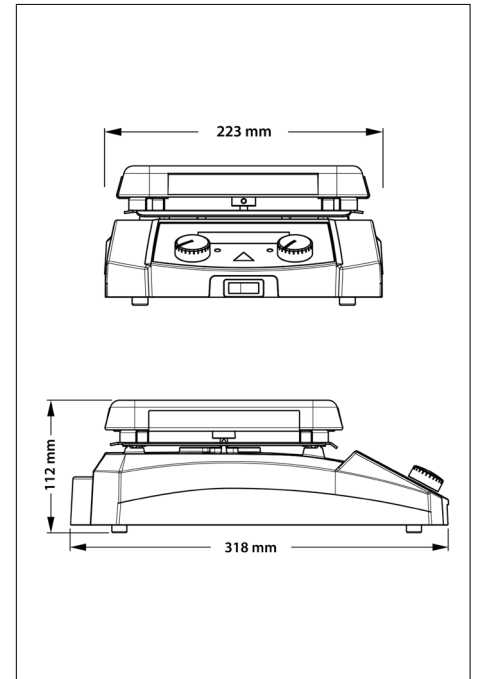
e-G31HS04C



e-G31HSRDS



e-G31HS07C



Other Features and Equipment

ON/OFF switch, Green indicator lights when unit is heating and stirring, probe in use icon, Single Point Calibration icon, rotary switch knob control, 1x built-in support rod holder, text and symbol HOT caution indicators, smooth enclosure surfaces for easy cleaning, audible alarm, IP21 Ingress Protection, robust full metal housing, ceramic square top plate or ceramic-coated stainless steel round top plate, high performance SmCo magnet.

Compliance

- **Product Safety:** IEC/EN 61010-1; IEC/EN 61010-2-010; IEC/EN 61010-2-051
- **Electromagnetic Compatibility:** IEC/EN 61326-1 Class A, Basic environments
- **Compliance Marks:** CE; RCM; TÜV SÜD; WEEE

Download Datasheets of our Clamps, Frames and Lab Lifts, and Achiever Overhead Stirrers:

Click the image or use the QR code

Multi-Purpose & Specialty Clamps

A Labware Clamp for Every Application—Choose From Over 85 Options to Hold Everything in Your Lab

Labware Clamps are designed to securely grip and position laboratory apparatus. Extension arm clamps with a 360° rotation allow placement of apparatus at various distances from lab frames and are easily secured with optional holders. Serrated, fixed position and thermometer clamps readily hold apparatus near the lab burner or stand and have a built-in holder for simple attachment to lab frames or apparatus. Flow control clamps available in 7 styles.

Standard Features:

- **Choice of Stainless Steel or Zinc to best Suit Your Application**
Corrosion resistant stainless steel clamps provide excellent chemical resistance, durability, and can be autoclaved. Nickel plated zinc clamps offer high tensile strength at an economical price.
- **Secure Any Glassware and Apparatus with Study 2 and 3 Prong Clamps**
Prevent accidents in the lab! Versatile multi-purpose Labware clamps securely hold glassware and irregularly shaped objects. Select from a variety of grip sizes, prong styles and adjustment types.
- **Specialty Designed Clamps for a Precise Fit**
Choose from a variety of specialized Labware clamps with adjustable features to provide a exact fit for lab ware such as thermometers, Bismarck® columns, funnels, and round bottom flasks.

Rods, Frames and Supports

Labware Ensures Secure Support for Holding Your Labware and Apparatus with Over 130 Options

Labware offers the largest selection of Lab-Frame Kits, Lab Lifts, Rods, Support Stands and Connectors in the industry to safely hold labware. Whether you need a standard lab-frame or need to create a unique set-up, we have options to fit any space or application. Dependable connectors secure rods and clamps to meet your requirements and the unique holders in a variety of sizes and materials accommodate different rods up to 24 mm in diameter.

Unique Features:

- **Select the Right Material for the Job**
Corrosion resistant lab frames, rods and connectors are available in premium stainless steel, offering high chemical resistance and durability. Aluminum offers reliable strength at a lighter weight.
- **Flexibility and Versatility for your Lab**
Simplify lab set up! Thirteen lab-frame kit options are available with four designed to fit in fume hoods. Build your own support system choosing from a wide selection of rods, bases and connectors.
- **Providing Convenience with Exceptional Stability and Durability**
Lab Lifts offer convenient adjustable lifting platforms with exceptional strength and durability for holding small lab equipment such as glassware, hot plates, and water baths at different heights.

ACHIEVER™ 5000
Overhead Stirrers

Reliable Overhead Stirrers with Excellent Performance for Everyday Use

OHAUS Achiever 5000™ Overhead Stirrers are designed for powerful, precise stirring, safety and simplicity in all applications. The sealed design has an IP64 rating and ensures safe mixing performance even in the most demanding applications. The hinged chuck and software controlled speed ramping provide easy set up and safe stirring to protect the sample and user. Select from five models with up to 500 RPM torque and up to 10L volume capacity.

Unique Features:

- Powerful mixing and constant speed is assured with the brushless motor and torque compensation technology - delivering accurate, controlled stirring of viscous liquids with quiet operation.
- Simply set up with the Keyless Chuck - no tools required. Change shafts quickly and easily with one handed operation. This unique design will save time and effort for everyone in the lab.
- Designed for safety, the lock button prevents accidental speed changes and the motor's overload sensing technology simply shuts off stirring before an overload condition occurs to protect the sample.
- Compact and easy to use. Simple knob control combined with the bright digital display allows for precise setting and monitoring. Customized for your application with over 12 accessories.



807766738_B_20251103 © Copyright OHAUS Corporation

OHAUS Asia/Pacific Headquarters

e-mail: APmarketing@ohaus.com
Tel: +86 21 64855408

With offices throughout Europe, Asia, and Latin America

* ISO 9001:2015

Registered Quality Management System

